

# sparrow

OEM one-diode laser module series

## Datasheet

Ushio HL69203HD

### Absolute Maximum Ratings

Item	Condition	Symbol	Rating	Unit
Optical Output Power	$T_{Case} = 25^{\circ}C$	$P_{Optical}$	1300	mW
Allowable Reverse Voltage	$T_{Case} = 25^{\circ}C$	$V_r$	2	V
Raw Diode Operating Temperature*	-	$T_{Case}$	-10 to +75	$^{\circ}C$
Raw Diode Storage Temperature*	-	$T_{Storage}$	-40 to +85	$^{\circ}C$

Operation outside these conditions may damage the device. Operation at maximum ratings influence lifetime.

**Attention: Use an appropriately sized heatsink and mount module with supplied thermal compound.**

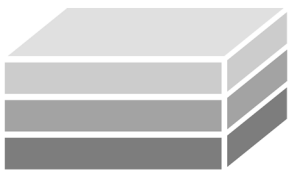
\* Temperature measured at diode backplate

### Optical and Electrical Characteristics

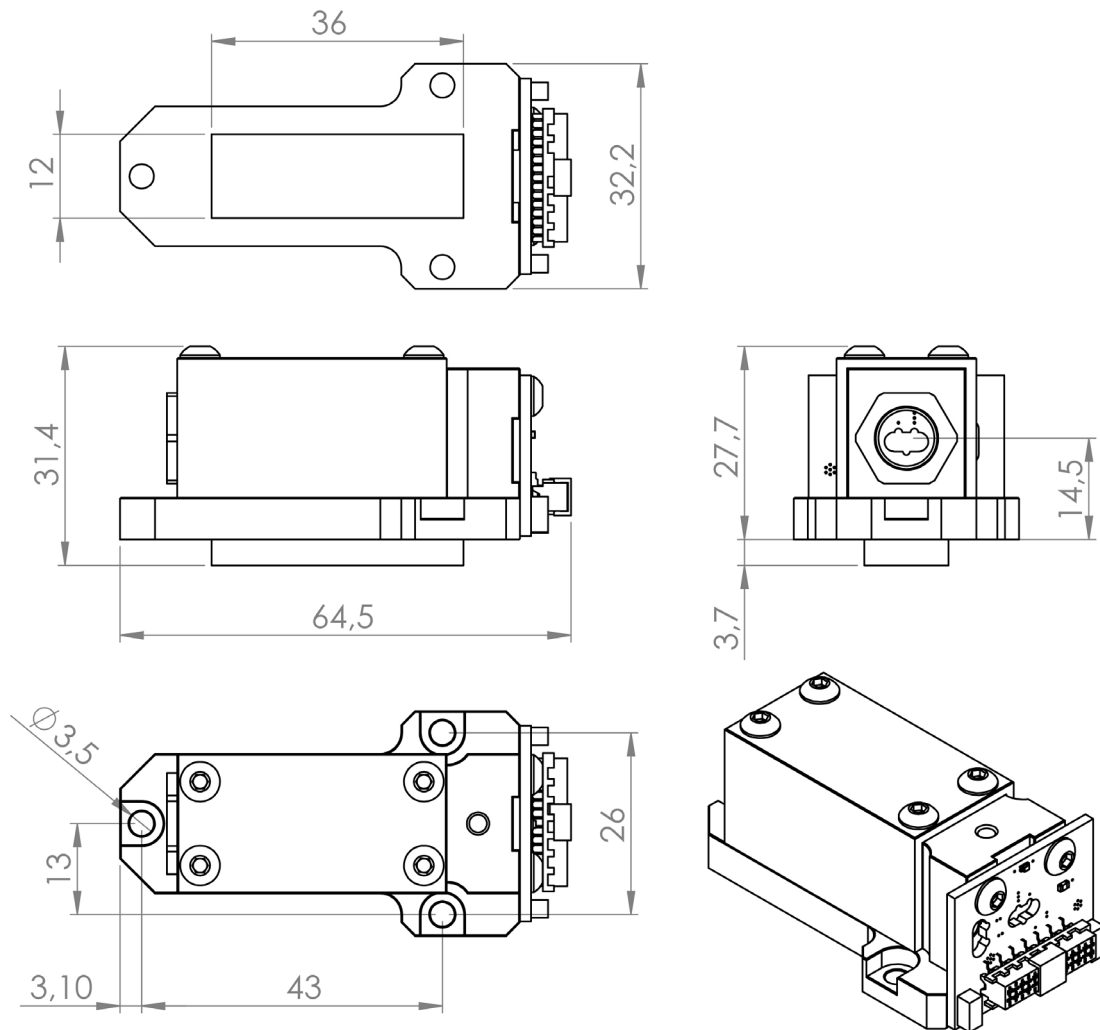
Item	Condition	Symbol	Min.	Typ.	Max.	Unit
Optical Output Power	$T_{Case} = 25^{\circ}C$	$P_o$	-	1200	-	mW
Optical Output Power	Pulsed *1	$P_o$	-	-	-	mW
Dominant Wavelength	$P_o = 1200mW$	$\lambda_d$	685	690	695	nm
Threshold Current	CW	$I_{th}$	-	330	-	mA
Operating Current	CW	$I_{op}$	-	1340	-	mA
Operating Current	Pulsed *1	$I_p$	-	-	-	A
Operating Voltage	$P_o = 1200mW$	$U_{op}$	-	2.2	-	V
Slope Efficiency	CW	$\eta$	-	-	-	W/A
Raw Diode Beam Divergence (FWHM)	$P_o = 1200mW$	$\theta_{  }$	-	12	-	deg
	$P_o = 1200mW$	$\theta_{\perp}$	-	31	-	deg
Beam Size	Without Correction	-	-	tbd.	-	mm
Beam Size	With Correction	-	-	tbd.	-	mm
Beam Divergence (full angle)	Without Correction	-	-	tbd.	-	mrad
Beam Divergence (full angle)	With Correction	-	-	tbd.	-	mrad
Heatsink Temperature Range *2	With TEC ( $T_c = 25^{\circ}C$ )	T	-20	-	90	$^{\circ}C$
Power Consumption *2	Without TEC	$P_{el}$	-	3	-	W
Power Consumption *2	With TEC	$P_{el}$	-	44	-	W

\*1 Pulse Condition: Pulse frequency  $\leq 30ns$ , Duty  $\leq 35\%$

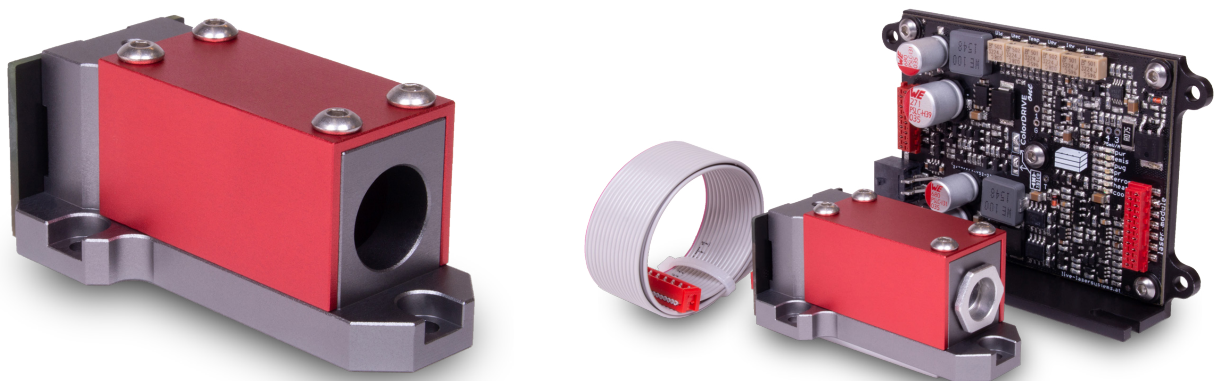
\*2 with ColorDRIVE one,  $V_{in} = +10$  to  $24V_{DC}$



## Technical Drawings



## Images



## Contact

LIVE Lasersystems, Arnethgasse 80, 1160 Vienna, Austria +43 (0) 1 944 2883 [info@live-lasersystems.at](mailto:info@live-lasersystems.at)

Subject to change without prior notice.  
Last change: August 2022