

4 3 2 1

F

F

E

E

D

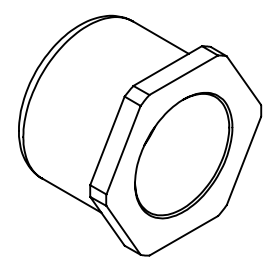
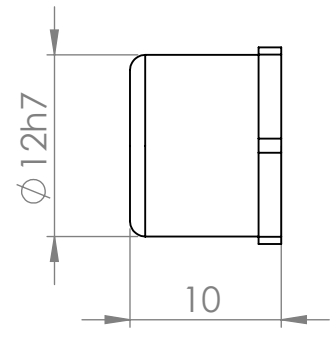
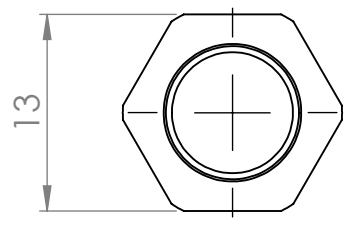
D

C

C

B

B



LIVE LASERSYSTEMS

SURFACE:

Break sharp edges!

UNLESS OTHERWISE STATED PRODUCTION AFTER DIN ISO 2768-f

DIMENSIONING IN MILLIMETERS

MODIFICATION

LLS Number:

	NAME	SIGNATUR	DATE		
DRAWN	Lobendanz		25.08.2022		
CHECKED					
APPROVED					
PRODUCTION					
QUALITY				MATERIAL:	
				WEIGHT:	

DESIGNATION	
<h1>Cylindrical Linse</h1>	
DRAWING Nr.:	A4
SCALE:2:1	SHEET 1 of 1

4 3 2 1

A

A